

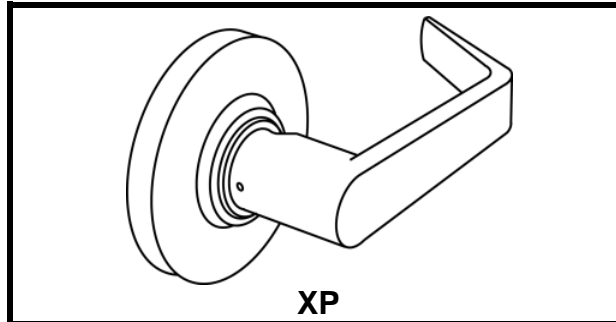
EXPLORER XP Series

HEAVY DUTY CYLINDRICAL LEVERSETS
ANSI - A156.2, SERIES 4000, GRADE 2

⊗ Optional Interchangeable Core, Best, Falcon and Arrow



3 HOUR FIRE RATED
UL10C, UBC7-2-1997



| ANSI | FUNCTIONS | ITEM # | FINISHES (Finishes in bold are stock items) | PCS /MC |
|------|---|----------|--|---------|
| F109 | Entrance | XP00 | US26D, US3, US10B, US10, US26, US4, US5, US15 | 10 |
| | | ⊗ ICXP00 | US26D, US3, US10B, US10, US26, US4, US5, US15 | |
| F91 | Storeroom | XP05 | US26D, US3, US10B, US10, US26, US4, US5, US15 | |
| | | ⊗ ICXP05 | US26D, US3, US10B, US10, US26, US4, US5, US15 | |
| F84 | Classroom | XP03 | US26D, US3, US10B, US10, US26, US4, US5, US15 | |
| | | ⊗ ICXP03 | US26D, US3, US10B, US10, US26, US4, US5, US15 | |
| F76 | Privacy (See below for split finishes) | XP20 | US26D, US3, US10B, US10, US26, US4, US5, US15 | |
| F75 | Passage | XP30 | | |
| F89 | Exit | XP50 | | |
| ---- | Single Dummy | XP40 | | |
| | | | | 20 |

⊗ (IC) Indicates function available with **Best, Falcon and Arrow Interchangeable Core**.

◆ SPLIT FINISHES FOR PRIVACY FUNCTION

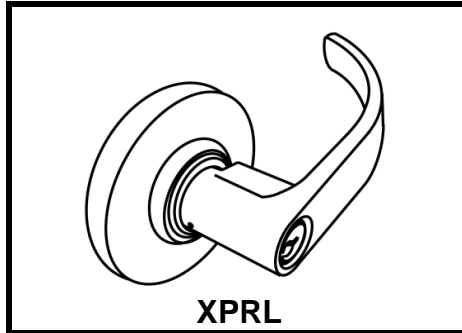
| ILLUSTRATION | ITEM # | FUNCTIONS | ANSI | FINISH | PCS /MC |
|--------------|--------|-----------|------|-------------------|---------|
| | XP20 | Privacy | F76 | US3/26D (Inside) | 10 |
| | | | | US4/26 (Inside) | |
| | | | | US10B/26 (Inside) | |
| | | | | US4/26D (Inside) | |



EXPLORER XPRL Series

HEAVY DUTY CYLINDRICAL LEVERSETS
ANSI - A156.2, SERIES 4000, GRADE 2

● Optional Interchangeable Core, Best, Falcon and Arrow



| FUNCTIONS | ANSI | ITEM # | FINISHES (Finishes in bold are stock items) | PCS /MC |
|---|------|-------------------|--|---------|
| Entrance | F109 | XPRL00 | US26D, US10B , US3, US10, US4, US26, US15 | 10 |
| | | ● ICXPRL00 | US26D, US10B, US3, US10, US4, US26, US15 | |
| Storeroom | F91 | XPRL05 | US26D, US10B , US3, US10, US4, US26, US15 | |
| | | ● ICXPRL05 | US26D, US10B, US3, US10, US4, US26, US15 | |
| Classroom | F84 | XPRL03 | US26D, US10B , US3, US10, US4, US26, US15 | |
| | | ● ICXPRL03 | US26D, US10B, US3, US10, US4, US26, US15 | |
| Privacy (See below for split finishes) | F76 | XPRL20 | US26D, US10B , US3, US10, US4, US26, US15 | |
| Passage | F75 | XPRL30 | | |
| Exit | F89 | XPRL50 | | |
| Single Dummy | ---- | XPRL40 | | |

● (IC) Indicates function available with **Best, Falcon and Arrow Interchangeable Core**.

◆ SPLIT FINISHES FOR PRIVACY FUNCTION

| ILLUSTRATION | ITEM # | FUNCTIONS | ANSI | FINISH | PCS /MC |
|--------------|--------|-----------|------|-------------------|---------|
| | XPRL20 | Privacy | F76 | US3/26D (Inside) | 10 |
| | | | | US4/26 (Inside) | |
| | | | | US10B/26 (Inside) | |
| | | | | US4/26D (Inside) | |

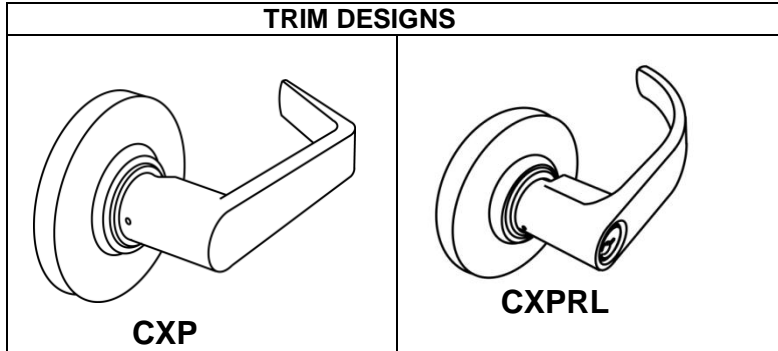


EXPLORER CXP, CXPRL CLUTCH

HEAVY DUTY CYLINDRICAL LEVERSETS WITH CLUTCH
ANSI - A156.2, Series 4000, Grade 2

UL US
3 HOUR FIRE RATED
UL10C, UBC7-2-1997

Optional Interchangeable Core, Best, Falcon and Arrow



| FUNCTIONS | ANSI | ITEM # | FINISHES | PCS /MC |
|-----------|------|---------|---|---------|
| | | | (Finishes in bold are stock items) | |
| Entrance | F109 | CXP00 | US26D, US10B , US3, US10, US26, US4, US15, US5 | 10 |
| | | ICCXP00 | US26D, US10B, US3, US10, US26, US4, US15, US5 | |
| Storeroom | F91 | CXP05 | US26D, US10B , US3, US10, US26, US4, US15, US5 | |
| | | ICCXP05 | US26D, US10B, US3, US10, US26, US4, US15, US5 | |
| Classroom | F84 | CXP03 | US26D, US10B , US3, US10, US26, US4, US15, US5 | |
| | | ICCXP03 | US26D, US10B, US3, US10, US26, US4, US15, US5 | |
| Privacy | F76 | CXP20 | | |

| FUNCTIONS | ANSI | ITEM # | FINISHES | PCS /MC |
|-----------|------|----------|---|---------|
| | | | (Finishes in bold are stock items) | |
| Entrance | F109 | CXPRL00 | US26D, US10B , US3, US10, US26, US4, US15, US5 | 10 |
| | | ICXPRL00 | US26D, US10B, US3, US10, US26, US4, US15, US5 | |
| Storeroom | F91 | CXPRL05 | US26D, US10B , US3, US10, US26, US4, US15, US5 | |
| | | ICXPRL05 | US26D, US10B, US3, US10, US26, US4, US15, US5 | |
| Classroom | F84 | CXPRL03 | US26D, US10B , US3, US10, US26, US4, US15, US5 | |
| | | ICXPRL03 | US26D, US10B, US3, US10, US26, US4, US15, US5 | |
| Privacy | F76 | CXPRL20 | | |

(IC) Indicates function available with **Best, Falcon and Arrow Interchangeable Core.**



► **PACKAGING INCLUDES**

- UL Listed 2 3/4" Backset with 2 1/4" x 1" Faceplate, Square corner, packed with 1/8" Filler for 1 1/8" width
- Standard "C", 6-pin cylinder
- ASA Strike

► **TACTILE AND LEAD LINING**

Lead Lining **part # LEAD**
Tactile **part # TAC**

► **MOUNT**

2 hole wooden mount
Part# SLMOUNT

► **KEYWAYS**

6-pin solid brass "C" keyway standard. Optional: Schlage E, Schlage C-K, Russwin D1-2-3-4, Corbin 59/60, Corbin-Russwin L4, Sargent LA-LB-LC, Falcon/Weiser E, Arrow A, Yale 8, Yale GA and Kwikset. Can also accept Medeco, Assa, Kaba and **Cal-Royal HSK** High Security Cylinders.

► **ADDITIONAL PARTS & CHARGES**

Backsets: UL listed 2 3/8", (2 1/4" x 1") faceplate

| ILLUSTRATION | ITEM # | DESCRIPTION | FINISH |
|-------------------------------------|-----------|--|------------------------------|
| ULSLD238 ULSLS238 | ULSLD238 | XP Series UL-listed Dead Latch 2 3/8" 2 1/4" x 1" Faceplate | US3, 26D, 10B, 10, 26 |
| | ULSLS238 | XP Series UL-listed Spring Latch 2 3/8" 2 1/4" x 1" Faceplate | US3, 26D, 10B, 10, 26 |
| | SLDRI-1 | 2 3/4" Entrance, Drive-in Latch bolt for G2 Lockset | ZINC |
| | SLDRI-2 | 2 3/4" Privacy/Passage, Drive-in Latch bolt for G2 Lockset | |
| | SLDRI-4 | 2 3/8" Entrance, Drive-in Latch bolt for G2 Lockset | |
| | SLDRI-5 | 2 3/8" Privacy/Passage, Drive-in Latch bolt for G2 Lockset | |
| TAIL PIECE | | | |
| | ICTP-03 | 6-pin Tail Piece for IC Explorer Series | ---- |
| | ICTP-04 | 7 Pin Tail Piece for IC Explorer Series | |
| | ICTP-05 | 6-pin Tail Piece for ICXP03 Explorer Series Classroom Function Only | |
| | ICTP-06 | 7 Pin Tail Piece for ICXP03 Explorer Series Classroom Function Only | |
| EXTRA UL LISTED BACKSET | | | |
| ULHIL234 ULSHIL234 | ULHIL234 | XP Series Dead Latch 2 3/4" 2 1/4" x 1" Faceplate | US3, 26D, 10B, 10, 26 |
| | ULSHIL234 | XP Series Spring Latch 2 3/4" 2 1/4" x 1" Faceplate | US3, 26D, 10B, 10, 26 |
| 3 3/4", 5" UL LISTED BACKSET | | | |
| | SL5 | 5" UL listed Extension Link | ---- |
| SLD334 SLS334 | SLD334 | 3 3/4" Dead latch, 2 1/4" x 1 1/8" Faceplate | US3, 26D,10B |
| | SLS334 | 3 3/4" Spring Latch, 2 1/4" x 1 1/8" Faceplate | US3, 26D,10B |
| STRIKES | | | |
| | TS | T-Strike | US3, 4, 26D, 26 10B, 10, 15 |
| | FLS | Full lip strike | US3, 26D, 10B, 10, 15, 26, 5 |

