

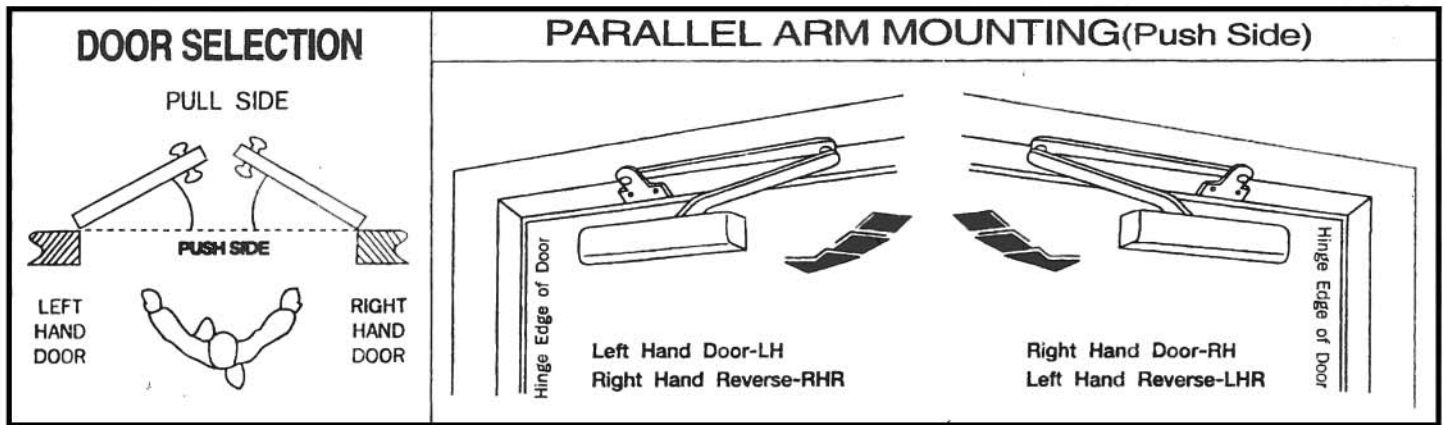


# 900 SERIES SUPER RIGID PARALLEL ARM

INSTALLATION INSTRUCTIONS FOR  
CAL-ROYAL 900 SERIES DOOR CLOSERS  
(HOLD-OPEN & NON HOLD-OPEN TYPE)

MODEL NO: **SPAS/900** (NON HOLD-OPEN)

**HOSRPS/900** (HOLD-OPEN)



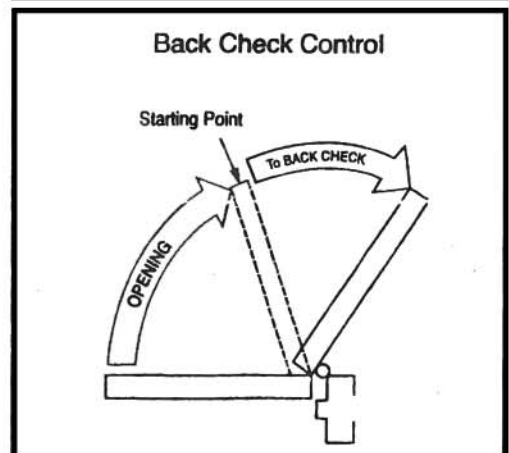
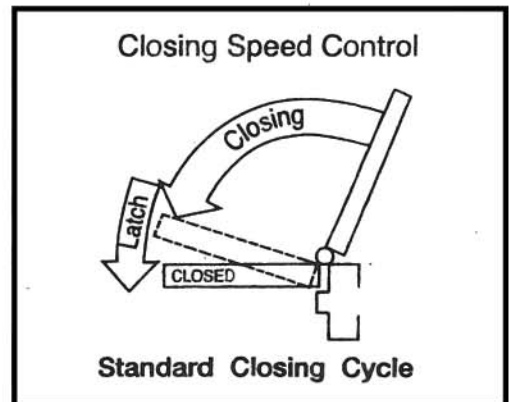
## GENERAL DESCRIPTIONS

The 900 series closers are non-handed for right or left hand doors designed to meet entrance accessibility requirements. The 900 series are spring power adjustable for all exterior/interior doors up to 58" (1470mm) wide doors and up to 330 Lbs (150Kg) weight.

Adjust the spring power before installing the door closer according to the "POWER ADJUSTMENT CHART FOR DOOR SELECTION" as shown on page 4.

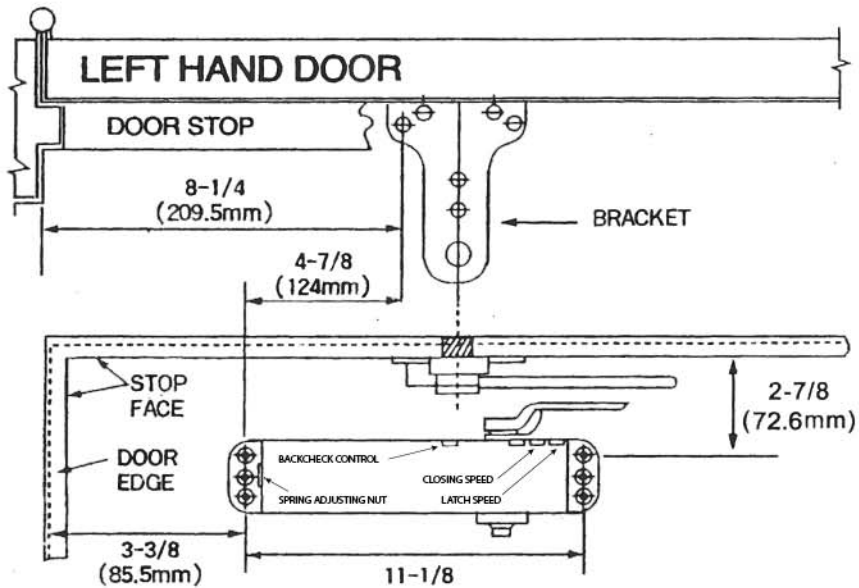
The 900 series closers are installed BACK CHECK function as a standard which is essential to the proper operation of the SUPER RIGID PARALLEL ARM. Use just enough to prevent arm from striking stop with impact.

The delayed action (optional) function can not be used for this arm because this arm permits maximum 100° door open angle.



## PARALLEL ARM (PUSH SIDE) Mounting

LEFT HAND DOOR SHOWN

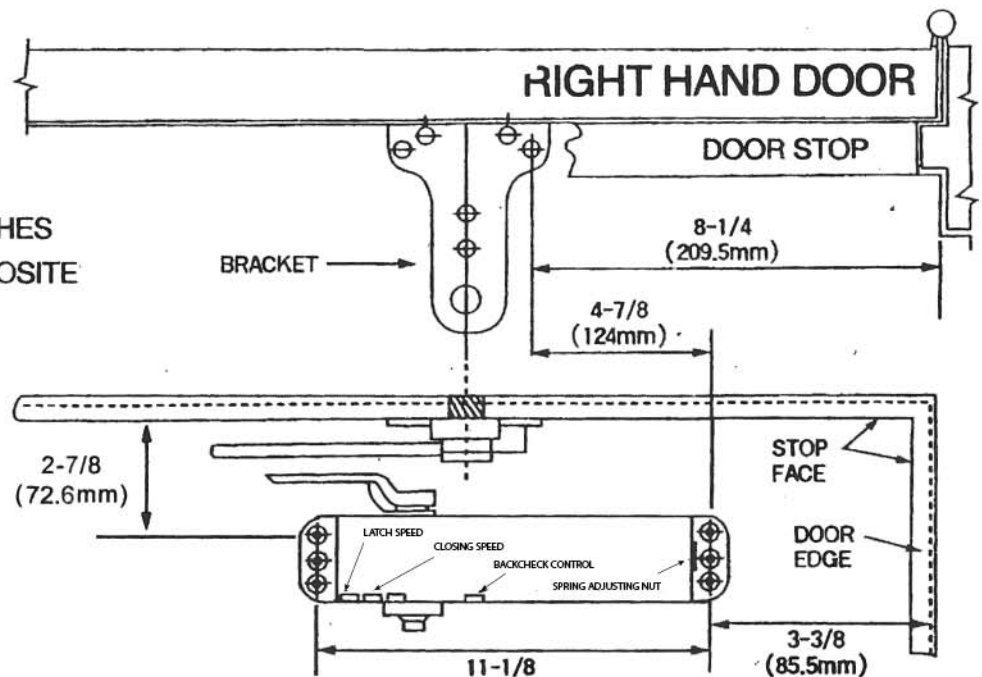


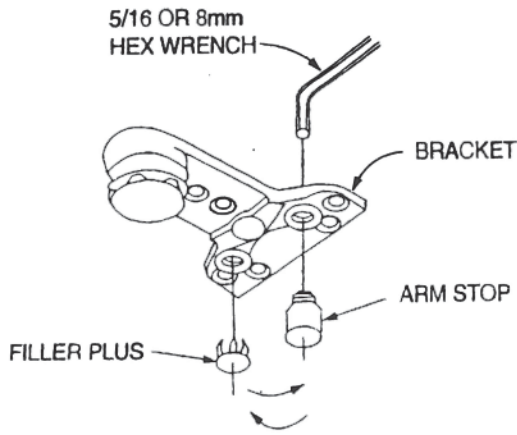
- DIMENSIONS ARE IN INCHES
- RIGHT HAND DOOR OPPOSITE
- DO NOT SCALE

## PARALLEL ARM (PUSH SIDE) Mounting

RIGHT HAND DOOR SHOWN

- DIMENSIONS ARE IN INCHES
- RIGHT HAND DOOR OPPOSITE
- DO NOT SCALE





INTERCHANGEABLE FOR DOOR HANDING

of door (refer to page 1) THE HAND MUST BE CORRECT BEFORE THE BRACKET IS MOUNTED TO THE DOOR STOP(TOP JAMB).

### FOR LEFT HAND DOORS

All brackets are shipped assembled for LEFT HAND DOOR. Insert 5/16" (8mm) hex wrench into ARM STOP and turn anti-clockwise to seat as tightly as possible.  
Push filler plug in firmly.

### FOR RIGHT HAND DOORS

Push filler plug out of bracket  
Using a 5/16" (8mm) hex wrench turn ARM STOP clockwise to remove from bracket insert in hole marked "R". Turn hex wrench clockwise to seat ARM STOP as tightly as possible. Push filler plug into other hole.

## INSTALLATION SEQUENCE

### LEFT HAND DOOR SHOWN- RIGHT HAND DOOR OPPOSITE

**⚠ CAUTION**

IMPROPER INSTALLATION OR REGULATION  
MAY RESULT IN PERSONAL INJURY OR  
PROPERTY DAMAGE FOLLOW ALL  
INSTRUCTIONS CAREFULLY.

1. Adjusting spring power to match door width or weight as indicated by DOOR SELECTION CHART shown on page 4.
2. Mount closer on door to dimensions shown on page 2.
3. Attach MAIN ARM as follows:
  - (a) Remove stud at junction between MAIN ARM and FOREARM
  - (b) -IMPORTANT- place open end wrench (spanner) on bottom shaft and turn toward hinge edge about 45°
  - (c) place MAIN ARM on top shaft parallel with door and secure with shaft screw with wrench (13/32" ≈ 10mm)
4. Attach BRACKET to door stop (Top jamb) as shown on page 2.
5. Swing door open about 45° join main arm and forearm insert stud and tighten securely.

#### IMPORTANT REMARKS

#### REGULATION

Do not allow door to slam into frame.  
A normal standard closing time from 90° open position is 5 to 7 seconds evenly divided between main closing (sweep) speed and latching speed Adjust the CLOSING speed first, then adjust the LATCHING speed.

For slow closing speed of door turn speed adjusting valve of "C" (closing speed) clockwise and anti-clockwise for fast.  
Latching speed control of door is the same manner as closing speed adjustment.

#### ADJUSTABLE BACK CHECK FUNCTION

This function is essential to the proper operation of the SUPER RIGID PARALLEL ARM. Use just enough to prevent arm to striking stop with impact. See page 4.

#### ATTACH COVER

Slide cover insert into the un-used cutout in cover.  
Install cover securely using screw provided.

#### HOW TO HOLD-OPEN (90° STOP)

A quarter turn on the HOLD-OPEN CONTROL HANDLE engages or disengages hold-open.

